

2020

NEW
PRODUCTS

A Step Above the Standard



REFRIGERATION
EVEREST

Everest New Product Lineup



Pass-Thru Refrigerators1 – 2



Open Air Merchandisers - Vertical3 – 8



Open Air Merchandisers - Horizontal9 – 12



24" Deep Side Mount Undercounter Refrigerators/Freezers13 – 16



24" Deep Side Mount Sandwich Prep. Tables17 – 18

BLIZZARD R290

All-In-One Slide-Out Cooling Cartridge



Slide-in the NEW!



Slide-out the Old!



30 Min. Replacement

Cooling problems? Everest will send a replacement cartridge for qualified units. Just slide the old one out, slide the new one in. **No brazing! No hassle!**



Fast Replacement



Auto-Diagnostic System

Audio and visual alarms cue users to high ambient temperatures.



Maintenance Free

Auto-Reverse fan keeps the condenser coil clean.

PASS-THRU REFRIGERATORS

Top Mounted Condensing Unit

ES - Series • ESPT-1S-1S • ESPT-2S-2S • ESPT-1G-1S • ESPT-2G-2S



▲ ESPT-1S-1S



▲ ESPT-1G-1S



▲ ESPT-2S-2S



▲ ESPT-2G-2S

Cabinet Construction

- Pass Thru design allows seamless access from both front and back entry points.
- Open spaced interior with no walls between compartments.
- Heavy duty stainless steel interior / exterior with rounded corners for a hazard-free workspace.
- Galvanized steel top and bottom.
- 2.5" thick high density polyurethane insulation.
- Four 5" swivel casters with locks on front set.

Refrigeration System

- Top mounted, self-contained and fully detachable Blizzard R290 condensing unit uses environmentally friendly, EPA-compliant R290 refrigerant with zero (0) Ozone Depletion Potential (ODP) and three (3) Global Warming Potential (GWP). Blizzard R290 is easily replaceable and requires no on-site brazing.
- Electronically commutated (ECM) fan motors achieve rapid cooling with less energy consumption.
- Full-length air duct system and airflow guard ensure optimal circulation of cold air.
- Time-initiated and temperature-terminated auto defrost cycle for seamless operation.
- Large capacity, corrosion-resistant condenser and evaporator coils.
- Self-maintaining, energy-efficient condensate drain pan requires no external drains or electric heaters.
- High performance, auto-reverse condenser fan motor supports compressor ventilation and condenser coil cleaning. Refer to owner's manual for full maintenance instructions.
- Pressure relief devices allow smooth access to cabinet interior when re-opening doors.
- Pre-wired and ready to plug, 115V/60Hz/1Ph, NEMA 5-15P.

Lighting

- Energy efficient silicone coated and shatter-proof LED lighting provides bright, high color illumination with low heat output for models, ESPT-1S-1S and ESPT-2S-2S.
- Shielded LED bar lighting with on/off switch provides bright, high color illumination at lower heat output for models, ESPT-1G-1S and ESPT-2G-2S.

Doors

- Solid or glass front and rear doors. Solid doors have stainless steel exterior/interior and 2.5" thick, high-density polyurethane insulation. Glass doors have low emissivity double glass panes that reflect UV rays for efficient cooling.
- Frame heaters prevent exterior moisture build up.
- Self-closing with adjustable torsion system for a positive seal.
- Snap-in magnetic door gasket make cleaning and replacement an easy process.
- High strength, recessed door handles.
- Pre-installed door locks keep your items safe from theft.
- Field reversible.

Shelving

- Three epoxy coated, steel wire shelves per section.
- Height adjustable stainless steel clips.

Temperature Control

- Multi-function digital controller with easy to read LED display.
- Factory preset temperature, 35°F. Temperature setting range from 33°F to 54°F.
- Audible overheat protection alarm for compressor and condenser coil.

Options

- 3.5" – 6" height-adjustable and interchangeable legs.
- 3" swivel casters with locks.
- Additional shelving.



5 YEAR Compressor
3 YEAR Parts & Labor

Dimensions

↔ = Interior Dimensions

↔ = Exterior Dimensions

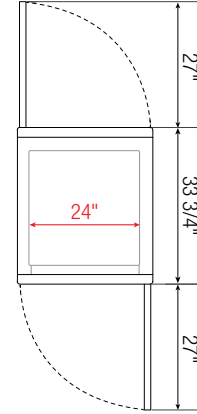
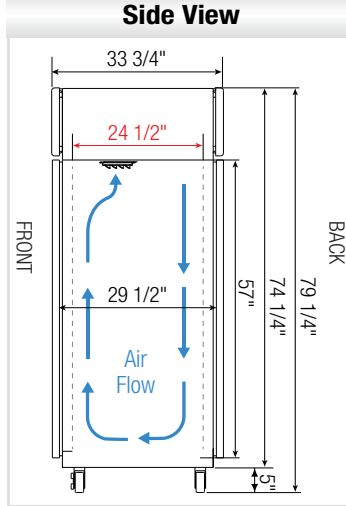
ABS Legs



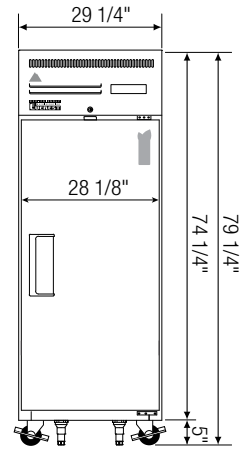
Adjustable stainless steel clad ABS legs for all models to provide extra stability when opening and closing doors and for weight support.



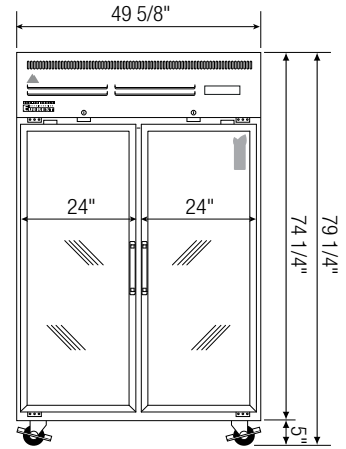
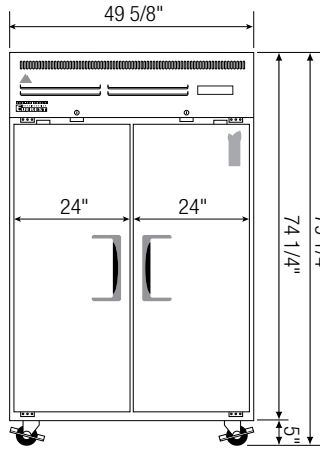
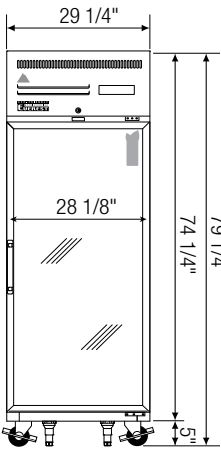
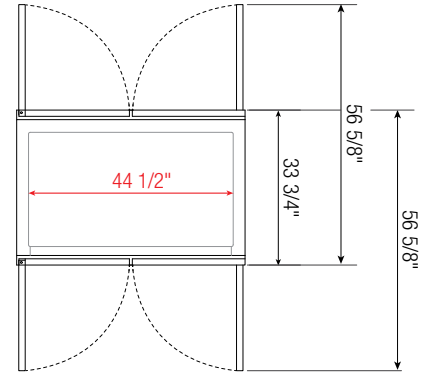
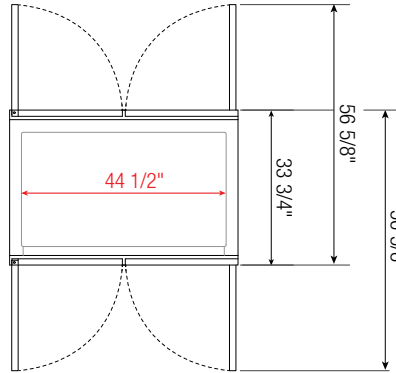
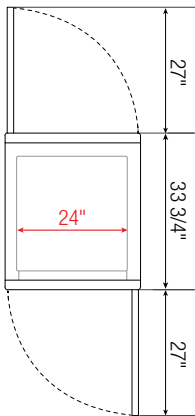
Equipped with 9 ft long NEMA 5-15P plug.



▲ ESPT-1S-1S



▲ ESPT-1S-1S



▲ ESPT-1G-1S

▲ ESPT-2S-2S

▲ ESPT-2G-2S

Model	Ref/ Frz/ Dual	# of Doors	Capacity (Cu. Ft.)	HP	BTU/HR †	Refrigerant	# of Shelves	Power (V-Hz-Ph)	Amps	Crated Weight (LBS)	Exterior Dimensions (Inches)		
											L	D	H*
ESPT-1S-1S	Ref	2	23.43	1/4+	1,926	R290	3	115-60-1	4.12A	324	29 1/4	33 3/4	74 1/4
ESPT-1G-1S	Ref	2	23.43	1/4+	1,926	R290	4	115-60-1	3.84A	364	29 1/4	33 3/4	74 1/4
ESPT-2S-2S	Ref	4	43.4	1/3	2,311	R290	6	115-60-1	4.12A	452	49 5/8	33 3/4	74 1/4
ESPT-2G-2S	Ref	4	43.4	1/3+	2,938	R290	8	115-60-1	5.64A	516	49 5/8	33 3/4	74 1/4

* : Height does not include 5" for casters.

† : Based on evaporating temperature of 23°F (-5°C) & condensing temperature of 131°F (55°C).

Specifications subject to change without notice.

Product dimensions are for general purposes and not absolute value. Product capacity (†) is calculated based on standard industry figures. Slight variations may exist. If dimensions and capacity are critical, please contact Everest Refrigeration.

Ref = Refrigerator (H) = Half Door



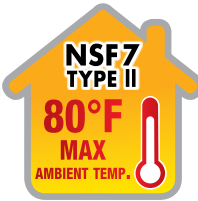
Please visit our website for updated Energy Efficiency information.

OPEN AIR MERCHANDISERS

Vertical / 35" Deep / Tall

EOMV - Series

- EOMV-36-W-35-T • EOMV-36-B-35-T • EOMV-48-W-35-T • EOMV-48-B-35-T
- EOMV-60-W-35-T • EOMV-60-B-35-T • EOMV-72-W-35-T • EOMV-72-B-35-T



▲ EOMV-36-W-35-T



▲ EOMV-36-B-35-T



▲ EOMV-48-W-35-T



▲ EOMV-48-B-35-T



▲ EOMV-60-W-35-T



▲ EOMV-60-B-35-T



▲ EOMV-72-W-35-T



▲ EOMV-72-B-35-T

Cabinet Construction

- Black or white modern exterior has moisture-resistant panels and field-replaceable tempered glass.
- Heavy-duty stainless steel interior has perforated back wall for efficient air flow. Includes floor drains for ease of cleaning.
- Galvanized steel top, bottom and rear.
- 2.5" thick high-density polyurethane insulation.
- Integrated retractable night curtain saves energy and provides security.
- 5" swivel casters with locks on front set. Leg stabilizers standard for all models.

Refrigeration System

- Bottom mounted, self-contained and fully detachable Blizzard R290 condensing unit uses environmentally friendly, EPA-compliant R290 refrigerant with zero (0) Ozone Depletion Potential (ODP) and three (3) Global Warming Potential (GWP). Blizzard R290 is easily replaceable and requires no on-site brazing.
- Front air intake and rear air discharge design allows side by side installation.
- Conforms to NSF Standard 7 TYPE II (maximum ambient temperature 80°F).
- Electronically commutated (ECM) evaporator fan motors achieve rapid cooling with less energy consumption.
- High performance, auto-reverse condenser fan motor supports compressor ventilation and condenser coil cleaning. Refer to owner's manual for full maintenance instructions.
- Large capacity, corrosion-resistant condenser and evaporator coils.
- Self-maintaining, energy-efficient condensate drain pan requires no external drains or electric heaters.
- Pre-wired and ready to plug, 115V/60Hz/1Ph, NEMA 5-20P and 230V/60Hz/1Ph, NEMA 6-20P (see table for plug types).

Lighting

- Shielded LED bar lighting under shelves and canopy provide bright, high color illumination at lower heat output. On/off switch saves energy.

Shelving

- Adjustable by height and angle. Position it flat or slanted downward at 10°.
- Heavy duty stainless steel shelves include price tag moldings.

Temperature Control

- Factory preset temperature of 35°F maintains a combined average product temperature of 40°F or less.
- Audible overheat protection alarm for compressor and condenser coil.

Recommended Operating Conditions

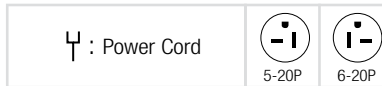
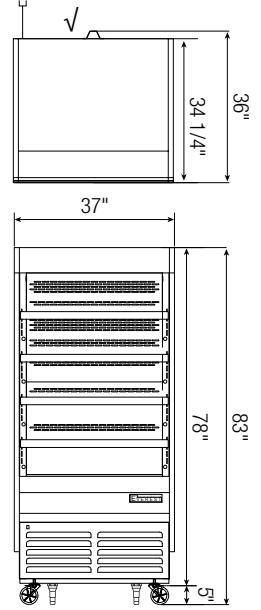
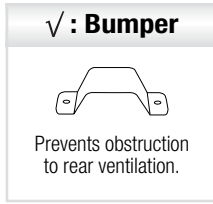
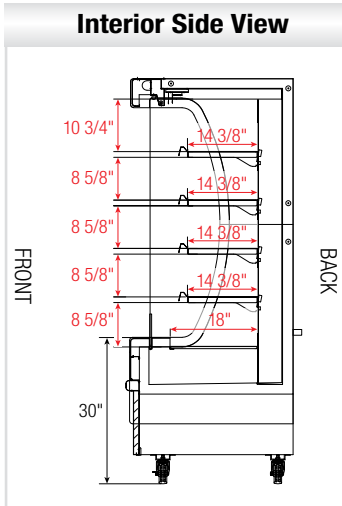
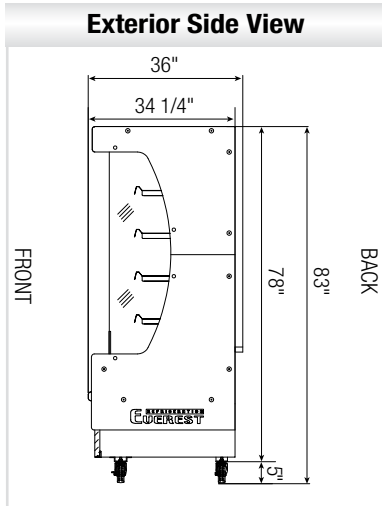
- **Conforms to NSF standard 7 TYPE II designed to operate in an air-conditioned environment where temperature and humidity do not exceed 80°F and 55% relative humidity.**
- Must not be installed near ventilation systems, fans or exterior doors or windows that will disrupt the air curtain and compromise the function of the cabinet.
- Must not be installed in direct sunlight.
- In built-in applications, a distance of 6" is required on the front, back and top exterior for ventilation purposes.



5 YEAR Compressor
2 YEAR Parts & Labor

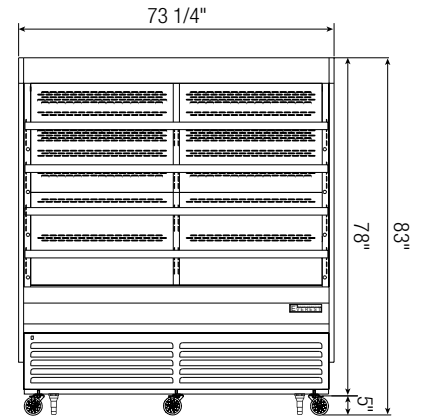
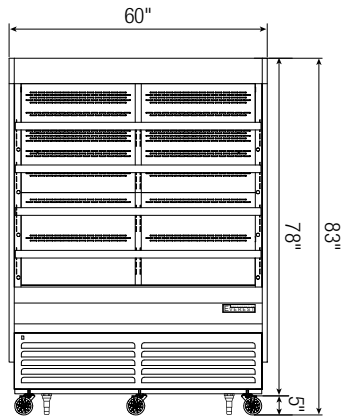
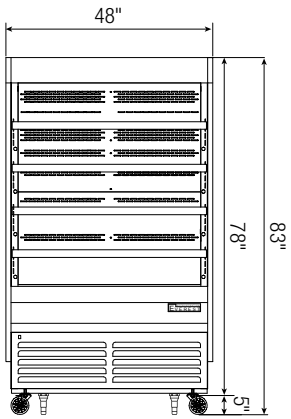
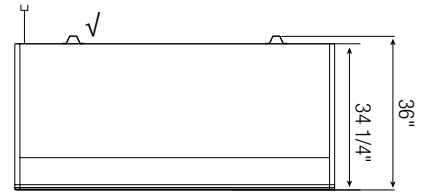
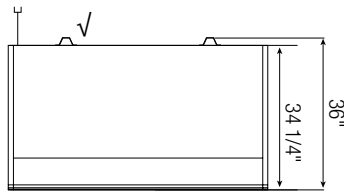
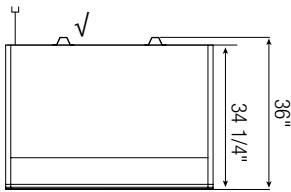
Dimensions

↔ = Interior Dimensions ↔ = Exterior Dimensions



Equipped with 9 ft long NEMA 5-20P or 6-20P plug. See table below.

▲ EOMV-36-W(B)-35-T



▲ EOMV-48-W(B)-35-T

▲ EOMV-60-W(B)-35-T

▲ EOMV-72-W(B)-35-T

Model	Ref/ Frz/ Dual	Capacity (Cu. Ft.)	HP	Refrigerant	# of Shelves	Power (V-Hz-Ph)	Amps	NEMA Config.	Exterior Dimensions (Inches)		
									L	D	H*
EOMV-36-W(B)-35-T	Ref	18.2	3/4	R290	4	115-60-1	8.53	5-20P	37 1/4	34 1/4	78
EOMV-48-W(B)-35-T	Ref	24	3/4 x 2	R290	4	115-60-1	14	5-20P	48	34 1/4	78
EOMV-60-W(B)-35-T	Ref	30.2	1x2	R290	8	230-60-1	10.84	6-20P	60	34 1/4	78
EOMV-72-W(B)-35-T	Ref	37	1x2	R290	8	230-60-1	11	6-20P	73 1/4	34 1/4	78

*: Height does not include 5" for casters.

Specifications subject to change without notice.

Product dimensions are for general purposes and not absolute value. Product capacity (↑) is calculated based on standard industry figures. Slight variations may exist. If dimensions and capacity are critical, please contact Everest Refrigeration.



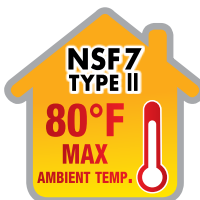
Please visit our website for updated Energy Efficiency information.

OPEN AIR MERCHANDISERS

Vertical / 28" Deep / Tall

EOMV - Series

- EOMV-36-W-28-T • EOMV-36-B-28-T • EOMV-48-W-28-T • EOMV-48-B-28-T
- EOMV-60-W-28-T • EOMV-60-B-28-T • EOMV-72-W-28-T • EOMV-72-B-28-T



▲ EOMV-36-W-28-T



▲ EOMV-36-B-28-T



▲ EOMV-48-W-28-T



▲ EOMV-48-B-28-T



▲ EOMV-60-W-28-T



▲ EOMV-60-B-28-T



▲ EOMV-72-W-28-T



▲ EOMV-72-B-28-T

Cabinet Construction

- Black or white modern exterior has moisture-resistant panels and field-replaceable tempered glass.
- Heavy-duty stainless steel interior has perforated back wall for efficient air flow. Includes floor drains for ease of cleaning.
- Galvanized steel top, bottom and rear.
- 2.5" thick high-density polyurethane insulation.
- Integrated retractable night curtain saves energy and provides security.
- 5" swivel casters with locks on front set. Leg stabilizers standard for all models.

Refrigeration System

- Bottom mounted, self-contained and fully detachable Blizzard R290 condensing unit uses environmentally friendly, EPA-compliant R290 refrigerant with zero (0) Ozone Depletion Potential (ODP) and three (3) Global Warming Potential (GWP). Blizzard R290 is easily replaceable and requires no on-site brazing.
- Front air intake and rear air discharge design allows side by side installation.
- Conforms to **NSF Standard 7 TYPE II (maximum ambient temperature 80°F)**.
- Electronically commutated (ECM) evaporator fan motors achieve rapid cooling with less energy consumption.
- High performance, auto-reverse condenser fan motor supports compressor ventilation and condenser coil cleaning. Refer to owner's manual for full maintenance instructions.
- Large capacity, corrosion-resistant condenser and evaporator coils.
- Self-maintaining, energy-efficient condensate drain pan requires no external drains or electric heaters.
- Pre-wired and ready to plug, 115V/60Hz/1Ph, NEMA 5-20P and 230V/60Hz/1Ph, NEMA 6-20P (see table for plug types).

Lighting

- Shielded LED bar lighting under shelves and canopy provide bright, high color illumination at lower heat output. On/off switch saves energy.

Shelving

- Adjustable by height and angle. Position it flat or slanted downward at 10°.
- Heavy duty stainless steel shelves include price tag moldings.

Temperature Control

- Factory preset temperature of 35°F maintains a combined average product temperature of 40°F or less.
- Audible overheat protection alarm for compressor and condenser coil.

Recommended Operating Conditions

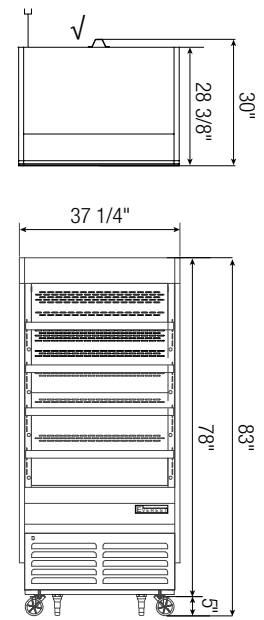
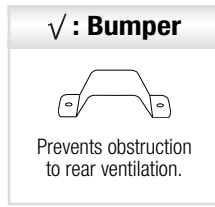
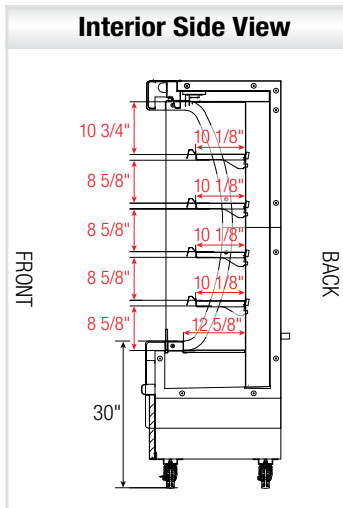
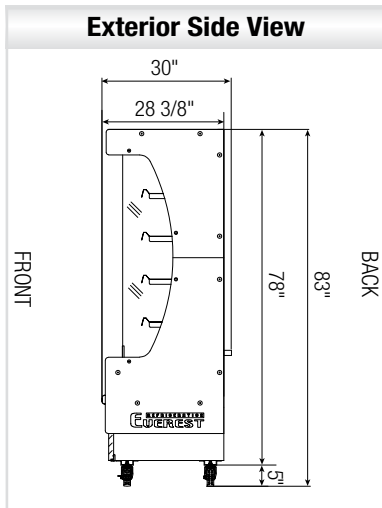
- **Conforms to NSF standard 7 TYPE II designed to operate in an air-conditioned environment where temperature and humidity do not exceed 80°F and 55% relative humidity.**
- Must not be installed near ventilation systems, fans or exterior doors or windows that will disrupt the air curtain and compromise the function of the cabinet.
- Must not be installed in direct sunlight.
- In built-in applications, a distance of 6" is required on the front, back and top exterior for ventilation purposes.



5 YEAR Compressor
2 YEAR Parts & Labor

Dimensions

↔ = Interior Dimensions ↔ = Exterior Dimensions

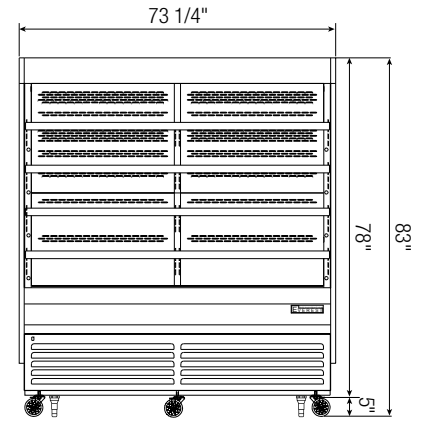
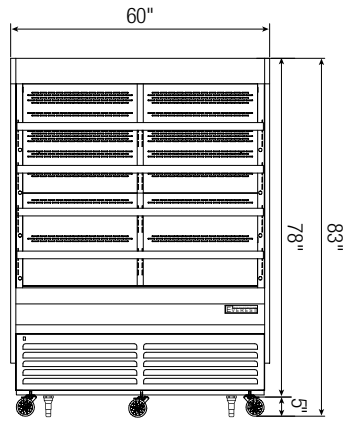
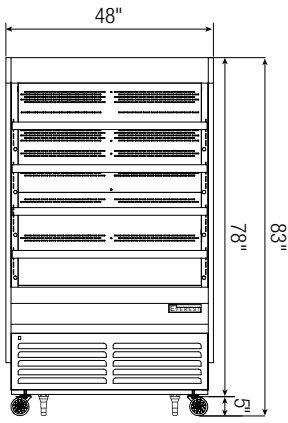
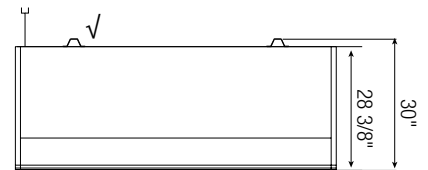
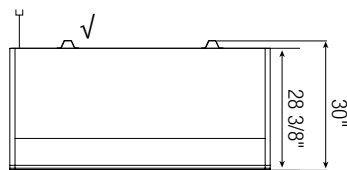
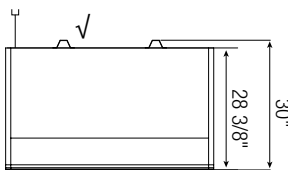


⏏ : Power Cord

5-20P 6-20P

Equipped with 9 ft long NEMA 5-20P or 6-20P plug. See table below.

▲ EOMV-36-W(B)-28-T



▲ EOMV-48-W(B)-28-T

▲ EOMV-60-W(B)-28-T

▲ EOMV-72-W(B)-28-T

Model	Ref/ Frz/ Dual	Capacity (Cu. Ft.)	HP	Refrigerant	# of Shelves	Power (V-Hz-Ph)	Amps	NEMA Config.	Exterior Dimensions (Inches)		
									L	D	H*
EOMV-36-W(B)-28-T	Ref	12.8	3/4	R290	4	115-60-1	8.53	5-20P	37 1/4	28 3/8	78
EOMV-48-W(B)-28-T	Ref	16.8	3/4 x 2	R290	4	115-60-1	14	5-20P	48	28 3/8	78
EOMV-60-W(B)-28-T	Ref	21.2	1x2	R290	8	230-60-1	10.84	6-20P	60	28 3/8	78
EOMV-72-W(B)-28-T	Ref	26	1x2	R290	8	230-60-1	11	6-20P	73 1/4	28 3/8	78

* : Height does not include 5" for casters.

Ref = Refrigerator

Specifications subject to change without notice.

Product dimensions are for general purposes and not absolute value. Product capacity (↑) is calculated based on standard industry figures. Slight variations may exist. If dimensions and capacity are critical, please contact Everest Refrigeration.

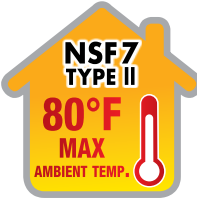
Please visit our website for updated Energy Efficiency information.

OPEN AIR MERCHANDISERS

Vertical / 28" Deep / Short

EOMV - Series

- EOMV-36-W-28-S • EOMV-36-B-28-S • EOMV-48-W-28-S • EOMV-48-B-28-S
- EOMV-60-W-28-S • EOMV-60-B-28-S • EOMV-72-W-28-S • EOMV-72-B-28-S



▲ EOMV-36-W-28-S



▲ EOMV-36-B-28-S



▲ EOMV-48-W-28-S



▲ EOMV-48-B-28-S



▲ EOMV-60-W-28-S



▲ EOMV-60-B-28-S



▲ EOMV-72-W-28-S



▲ EOMV-72-B-28-S

Cabinet Construction

- Black or white modern exterior has moisture-resistant panels and field-replaceable tempered glass.
- Heavy-duty stainless steel interior has perforated back wall for efficient air flow. Includes floor drains for ease of cleaning.
- Galvanized steel top, bottom and rear.
- 2.5" thick high-density polyurethane insulation.
- Integrated retractable night curtain saves energy and provides security.
- 5" swivel casters with locks on front set. Leg stabilizers standard for all models.

Refrigeration System

- Bottom mounted, self-contained and fully detachable Blizzard R290 condensing unit uses environmentally friendly, EPA-compliant R290 refrigerant with zero (0) Ozone Depletion Potential (ODP) and three (3) Global Warming Potential (GWP). Blizzard R290 is easily replaceable and requires no on-site brazing.
- Front air intake and rear air discharge design allows side by side installation.
- Conforms to NSF Standard 7 TYPE II (maximum ambient temperature 80°F).
- Electronically commutated (ECM) evaporator fan motors achieve rapid cooling with less energy consumption.
- High performance, auto-reverse condenser fan motor supports compressor ventilation and condenser coil cleaning. Refer to owner's manual for full maintenance instructions.
- Large capacity, corrosion-resistant condenser and evaporator coils.
- Self-maintaining, energy-efficient condensate drain pan requires no external drains or electric heaters.
- Pre-wired and ready to plug, 115V/60Hz/1Ph, NEMA 5-20P.

Lighting

- Shielded LED bar lighting under shelves and canopy provide bright, high color illumination at lower heat output. On/off switch saves energy.

Shelving

- Adjustable by height and angle. Position it flat or slanted downward at 10°.
- Heavy duty stainless steel shelves include price tag moldings.

Temperature Control

- Factory preset temperature of 35°F maintains a combined average product temperature of 40°F or less.
- Audible overheat protection alarm for compressor and condenser coil.

Recommended Operating Conditions

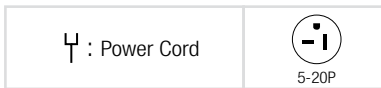
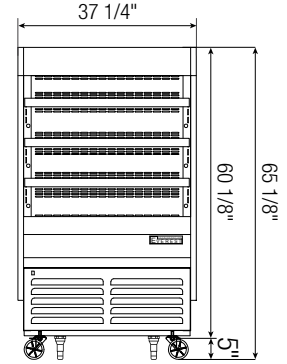
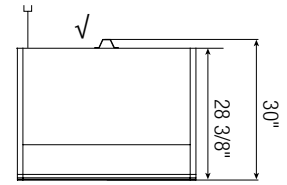
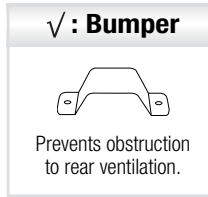
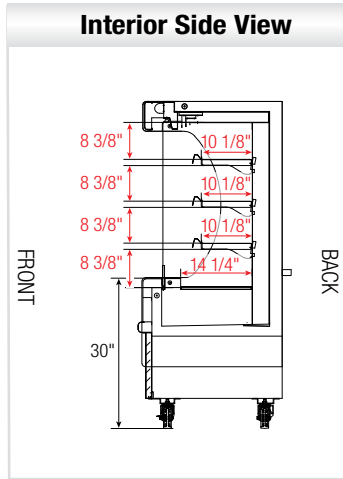
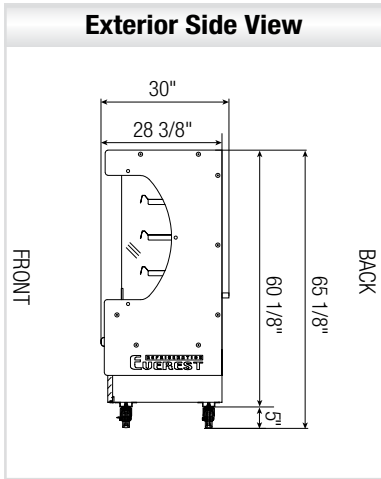
- **Conforms to NSF standard 7 TYPE II designed to operate in an air-conditioned environment where temperature and humidity do not exceed 80°F and 55% relative humidity.**
- Must not be installed near ventilation systems, fans or exterior doors or windows that will disrupt the air curtain and compromise the function of the cabinet.
- Must not be installed in direct sunlight.
- In built-in applications, a distance of 6" is required on the front, back and top exterior for ventilation purposes.



5 YEAR Compressor
2 YEAR Parts & Labor

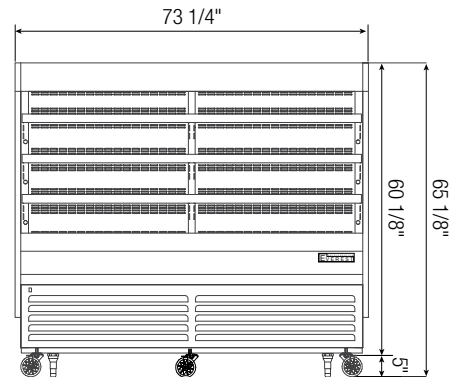
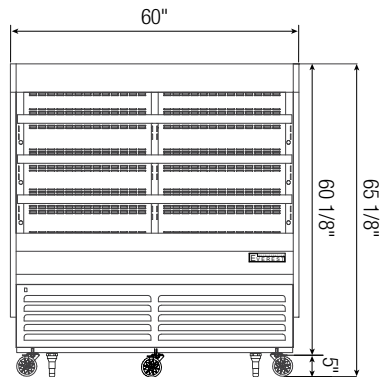
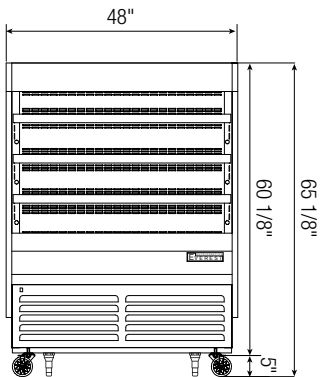
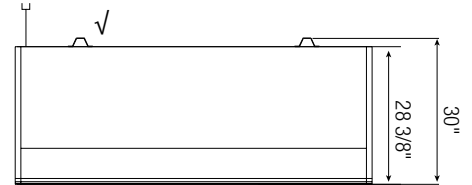
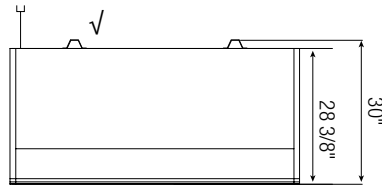
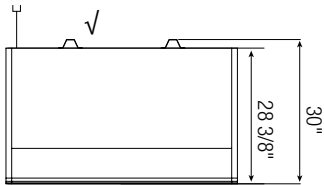
Dimensions

↔ = Interior Dimensions ↔ = Exterior Dimensions



Equipped with 9 ft long NEMA 5-20P.

▲ EOMV-36-W(B)-28-S



▲ EOMV-48-W(B)-28-S

▲ EOMV-60-W(B)-28-S

▲ EOMV-72-W(B)-28-S

Model	Ref/ Frz/ Dual	Capacity (Cu. Ft.)	HP	Refrigerant	# of Shelves	Power (V-Hz-Ph)	Amps	NEMA Config.	Exterior Dimensions (Inches)		
									L	D	H*
EOMV-36-W(B)-35-S	Ref	9.3	1/2	R290	3	115-60-1	7.03	5-20P	37 1/4	28 3/8	60 1/8
EOMV-48-W(B)-35-S	Ref	12.2	1/2x2	R290	3	115-60-1	11	5-20P	48	28 3/8	60 1/8
EOMV-60-W(B)-35-S	Ref	15.4	1/2x2	R290	6	115-60-1	11.6	5-20P	60	28 3/8	60 1/8
EOMV-72-W(B)-35-S	Ref	19	1/2x2	R290	6	115-60-1	13.6	5-20P	73 1/4	28 3/8	60 1/8

*: Height does not include 5" for casters.

Ref = Refrigerator

Specifications subject to change without notice.

Product dimensions are for general purposes and not absolute value. Product capacity (↑) is calculated based on standard industry figures. Slight variations may exist. If dimensions and capacity are critical, please contact Everest Refrigeration.



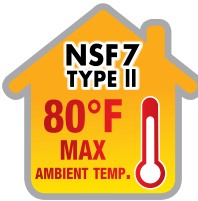
Please visit our website for updated Energy Efficiency information.

OPEN AIR MERCHANDISERS

Horizontal / 35" Deep / Tall

EOMH - Series

- EOMH-36-W-35-T • EOMH-36-B-35-T • EOMH-48-W-35-T • EOMH-48-B-35-T
- EOMH-60-W-35-T • EOMH-60-B-35-T • EOMH-72-W-35-T • EOMH-72-B-35-T



▲ EOMH-36-W-35-T



▲ EOMH-36-B-35-T



▲ EOMH-48-W-35-T



▲ EOMH-48-B-35-T



▲ EOMH-60-W-35-T



▲ EOMH-60-B-35-T



▲ EOMH-72-W-35-T



▲ EOMH-72-B-35-T

Cabinet Construction

- Black or white modern exterior has moisture-resistant panels and field-replaceable tempered glass.
- Heavy-duty stainless steel interior has perforated back wall for efficient air flow. Includes floor drains for ease of cleaning.
- Galvanized steel top, bottom and rear.
- 2.5" thick high-density polyurethane insulation.
- Integrated retractable night curtain saves energy and provides security.
- 5" swivel casters with locks on front set. Leg stabilizers standard for all models.

Refrigeration System

- Bottom mounted, self-contained and fully detachable Blizzard R290 condensing unit uses environmentally friendly, EPA-compliant R290 refrigerant with zero (0) Ozone Depletion Potential (ODP) and three (3) Global Warming Potential (GWP). Blizzard R290 is easily replaceable and requires no on-site brazing.
- Front air intake and rear air discharge design allows side by side installation.
- Conforms to **NSF Standard 7 TYPE II (maximum ambient temperature 80°F)**.
- Electronically commutated (ECM) evaporator fan motors achieve rapid cooling with less energy consumption.
- High performance, auto-reverse condenser fan motor supports compressor ventilation and condenser coil cleaning. Refer to owner's manual for full maintenance instructions.
- Large capacity, corrosion-resistant condenser and evaporator coils.
- Self-maintaining, energy-efficient condensate drain pan requires no external drains or electric heaters.
- Pre-wired and ready to plug, 115V/60Hz/1Ph, NEMA 5-20P.

Lighting

- Shielded LED bar lighting under shelves and canopy provide bright, high color illumination at lower heat output. On/off switch saves energy.

Shelving

- Adjustable by height and angle. Position it flat or slanted downward at 10°.
- Heavy duty stainless steel shelves include price tag moldings.

Temperature Control

- Factory preset temperature of 35°F maintains a combined average product temperature of 40°F or less.
- Audible overheat protection alarm for compressor and condenser coil.

Recommended Operating Conditions

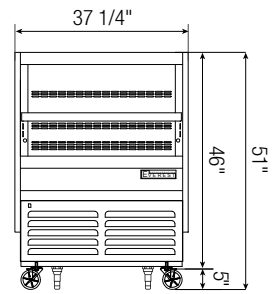
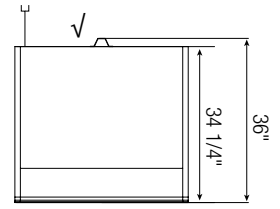
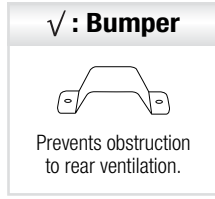
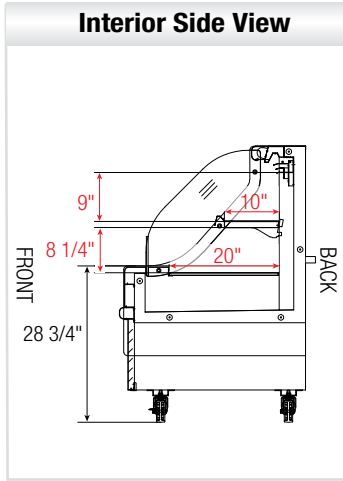
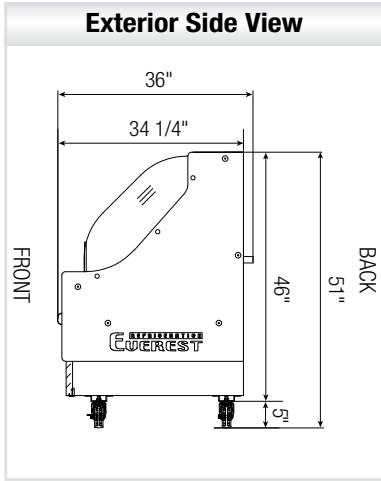
- **Conforms to NSF standard 7 TYPE II designed to operate in an air-conditioned environment where temperature and humidity do not exceed 80°F and 55% relative humidity.**
- Must not be installed near ventilation systems, fans or exterior doors or windows that will disrupt the air curtain and compromise the function of the cabinet.
- Must not be installed in direct sunlight.
- In built-in applications, a distance of 6" is required on the front, back and top exterior for ventilation purposes.



5 YEAR Compressor
2 YEAR Parts & Labor

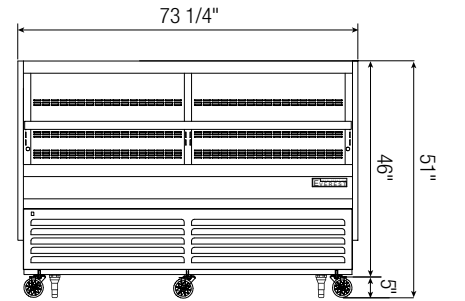
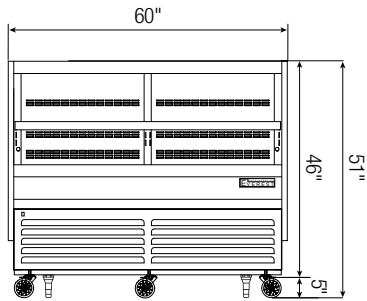
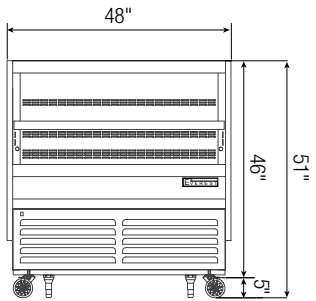
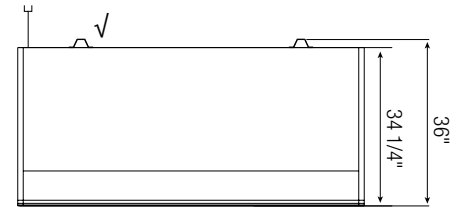
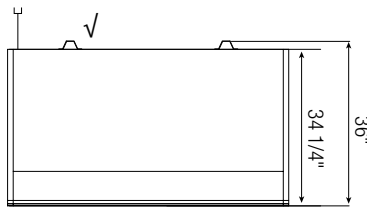
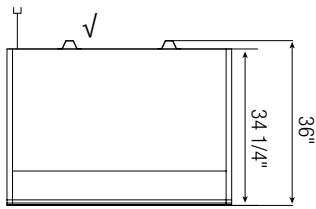
Dimensions

↔ = Interior Dimensions ↔ = Exterior Dimensions



▲ EOMH-36-W(B)-35-T

⏻ : Power Cord ⏻ : 5-20P Equipped with 9 ft long NEMA 5-20P.



▲ EOMH-48-W(B)-35-T

▲ EOMH-60-W(B)-35-T

▲ EOMH-72-W(B)-35-T

Model	Ref/ Frz/ Dual	Capacity (Cu. Ft.)	HP	Refrigerant	# of Shelves	Power (V-Hz-Ph)	Amps	NEMA Config.	Exterior Dimensions (Inches)		
									L	D	H*
EOMH-36-W(B)-35-T	Ref	7.4	1/2	R290	1	115-60-1	7.03	5-20P	37 1/4	34 1/4	46
EOMH-48-W(B)-35-T	Ref	9.7	1/2x2	R290	1	115-60-1	10.6	5-20P	48	34 1/4	46
EOMH-60-W(B)-35-T	Ref	12.3	1/2x2	R290	2	115-60-1	11	5-20P	60	34 1/4	46
EOMH-72-W(B)-35-T	Ref	15.2	3/4x2	R290	2	115-60-1	13.2	5-20P	73 1/4	34 1/4	46

* : Height does not include 5" for casters.

Ref = Refrigerator

Specifications subject to change without notice.

Product dimensions are for general purposes and not absolute value. Product capacity (↑) is calculated based on standard industry figures. Slight variations may exist. If dimensions and capacity are critical, please contact Everest Refrigeration.



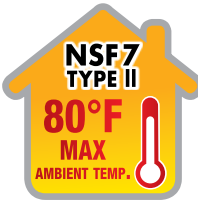
Please visit our website for updated Energy Efficiency information.

OPEN AIR MERCHANDISERS

Horizontal / 35" Deep / Short

EOMH - Series

- EOMH-36-W-35-S • EOMH-36-B-35-S • EOMH-48-W-35-S • EOMH-48-B-35-S
- EOMH-60-W-35-S • EOMH-60-B-35-S • EOMH-72-W-35-S • EOMH-72-B-35-S



▲ EOMH-36-W-35-S



▲ EOMH-36-B-35-S



▲ EOMH-48-W-35-S



▲ EOMH-48-B-35-S



▲ EOMH-60-W-35-S



▲ EOMH-60-B-35-S



▲ EOMH-72-W-35-S



▲ EOMH-72-B-35-S

Cabinet Construction

- Black or white modern exterior has moisture-resistant panels and field-replaceable tempered glass.
- Heavy-duty stainless steel interior has perforated back wall for efficient air flow. Includes floor drains for ease of cleaning.
- Galvanized steel top, bottom and rear.
- 2.5" thick high-density polyurethane insulation.
- Integrated retractable night curtain saves energy and provides security.
- 5" swivel casters with locks on front set. Leg stabilizers standard for all models.

Refrigeration System

- Bottom mounted, self-contained and fully detachable Blizzard R290 condensing unit uses environmentally friendly, EPA-compliant R290 refrigerant with zero (0) Ozone Depletion Potential (ODP) and three (3) Global Warming Potential (GWP). Blizzard R290 is easily replaceable and requires no on-site brazing.
- Front air intake and rear air discharge design allows side by side installation.
- Conforms to **NSF Standard 7 TYPE II (maximum ambient temperature 80°F)**.
- Electronically commutated (ECM) evaporator fan motors achieve rapid cooling with less energy consumption.
- High performance, auto-reverse condenser fan motor supports compressor ventilation and condenser coil cleaning. Refer to owner's manual for full maintenance instructions.
- Large capacity, corrosion-resistant condenser and evaporator coils.
- Self-maintaining, energy-efficient condensate drain pan requires no external drains or electric heaters.
- Pre-wired and ready to plug, 115V/60Hz/1Ph, NEMA 5-20P.

Lighting

- Shielded LED bar lighting under shelves and canopy provide bright, high color illumination at lower heat output. On/off switch saves energy.

Shelving

- Removable 2-tier stainless steel shelf riser.

Temperature Control

- Factory preset temperature of 35°F maintains a combined average product temperature of 40°F or less.
- Audible overheat protection alarm for compressor and condenser coil.

Recommended Operating Conditions

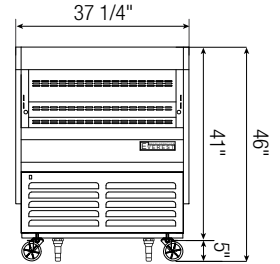
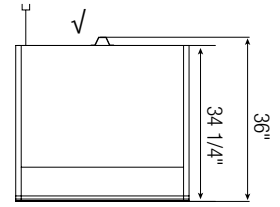
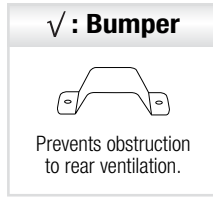
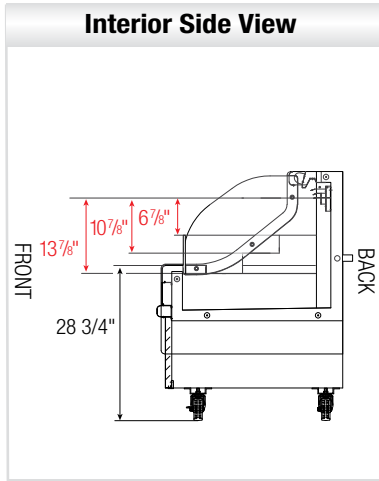
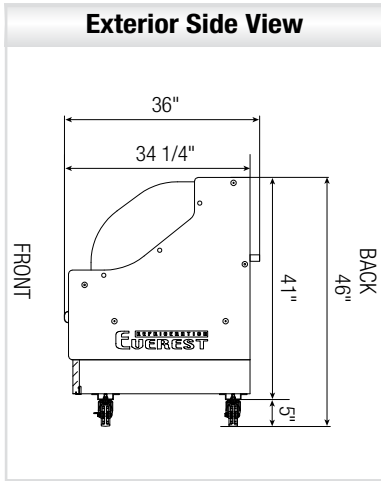
- **Conforms to NSF standard 7 TYPE II designed to operate in an air-conditioned environment where temperature and humidity do not exceed 80°F and 55% relative humidity.**
- Must not be installed near ventilation systems, fans or exterior doors or windows that will disrupt the air curtain and compromise the function of the cabinet.
- Must not be installed in direct sunlight.
- In built-in applications, a distance of 6" is required on the front, back and top exterior for ventilation purposes.



5 YEAR Compressor
2 YEAR Parts & Labor

Dimensions

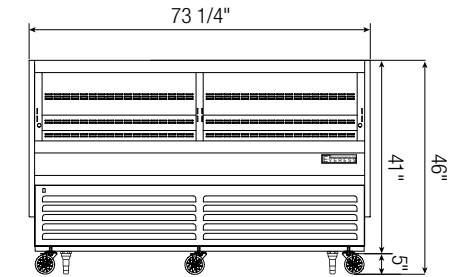
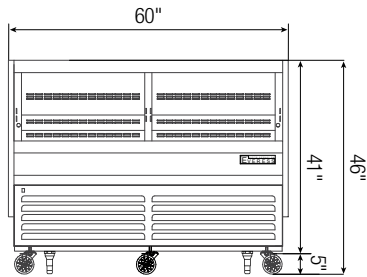
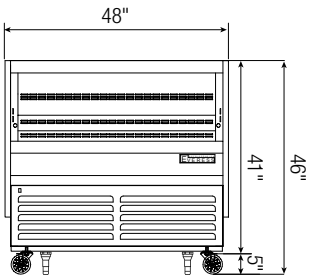
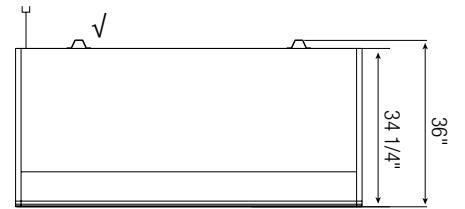
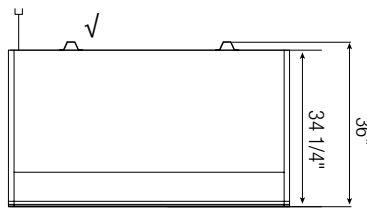
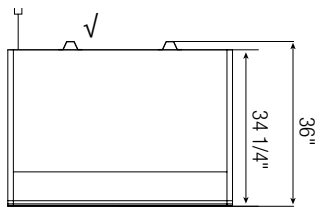
↔ = Interior Dimensions ↔ = Exterior Dimensions



⏏ : Power Cord ⚡ : 5-20P

Equipped with 9 ft long NEMA 5-20P

▲ EOMH-36-W(B)-35-S



▲ EOMH-48-W(B)-35-S

▲ EOMH-60-W(B)-35-S

▲ EOMH-72-W(B)-35-S

Model	Ref/ Frz/ Dual	Capacity (Cu. Ft.)	HP	Refrigerant	# of Shelves	Power (V-Hz-Ph)	Amps	NEMA Config.	Exterior Dimensions (Inches)		
									L	D	H*
EOMH-36-W(B)-35-S	Ref	5.6	1/2	R290	0	115-60-1	7.03	5-20P	37 1/4	34 1/4	41
EOMH-48-W(B)-35-S	Ref	7.3	1/2x2	R290	0	115-60-1	10.6	5-20P	48	34 1/4	41
EOMH-60-W(B)-35-S	Ref	9.3	1/2x2	R290	0	115-60-1	11	5-20P	60	34 1/4	41
EOMH-72-W(B)-35-S	Ref	11.4	3/4x2	R290	0	115-60-1	13.2	5-20P	73 1/4	34 1/4	41

* : Height does not include 5" for casters.

Ref = Refrigerator

Specifications subject to change without notice.

Product dimensions are for general purposes and not absolute value. Product capacity (▲) is calculated based on standard industry figures. Slight variations may exist. If dimensions and capacity are critical, please contact Everest Refrigeration.



Please visit our website for updated Energy Efficiency information.

24" DEEP SIDE MOUNT UNDERCOUNTER REFRIGERATORS

Side Mounted Condensing Unit

ET - Series • ETR1-24 • ETR2-24



Cabinet Construction

- Heavy duty stainless steel interior / exterior with rounded corners for a hazard-free workspace.
- Open spaced interior with no walls between compartments.
- 16 gauge, high quality stainless steel worktop.
- Galvanized steel bottom and rear.
- 2.5" thick high density polyurethane insulation.
- Four 5" swivel casters with locks on front set.

Refrigeration System

- Side mounted, self-contained and fully detachable Blizzard R290 condensing unit uses environmentally friendly, EPA-compliant R290 refrigerant with zero (0) Ozone Depletion Potential (ODP) and three (3) Global Warming Potential (GWP). Blizzard R290 is easily replaceable and requires no on-site brazing.
- Electronically commutated (ECM) fan motors achieve rapid cooling with less energy consumption.
- Full-length air duct system ensures optimal circulation of cold air.
- Time-initiated and temperature-terminated auto defrost cycle for seamless operation.
- Large capacity, corrosion-resistant condenser and evaporator coils.
- Self-maintaining, energy-efficient condensate drain pan requires no external drains or electric heaters.
- High performance, auto-reverse condenser fan motor supports compressor ventilation and condenser coil cleaning. Refer to owner's manual for full maintenance instructions.
- Pressure relief devices allow smooth access to cabinet interior when re-opening doors.
- Pre-wired and ready to plug, 115V/60Hz/1Ph, NEMA 5-15P.

Lighting

- Energy efficient silicone coated and shatter-proof LED lighting provides bright, high color illumination with low heat output.

Doors

- Heavy duty stainless steel interior / exterior.
- 2.5" thick high density polyurethane insulation.
- Frame heaters prevent exterior moisture build up.
- Self-closing with adjustable torsion system for a positive seal.
- Snap-in magnetic door gasket make cleaning and replacement an easy process.
- High strength, recessed door handles.
- Pre-installed door locks keep your items safe from theft.

Shelving

- Two epoxy coated, steel wire shelves per section.
- Height adjustable stainless steel clips.

Temperature Control

- Multi-function digital controller with easy to read LED display.
- Factory preset temperature, 35°F. Temperature setting range from 33°F to 54°F.
- Audible overheat protection alarm for compressor and condenser coil.

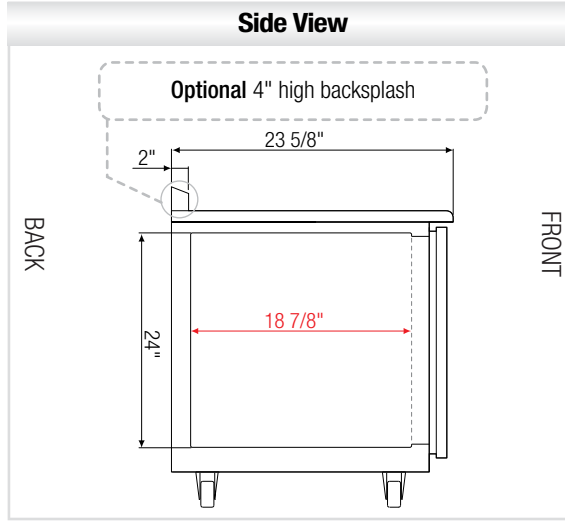
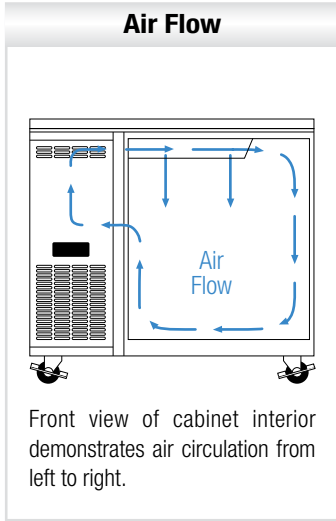
Options

- 4" high stainless steel backsplash for worktop application.
- Additional shelving.
- 3" swivel casters with locks.
- 3.5" – 6" height-adjustable and interchangeable legs.

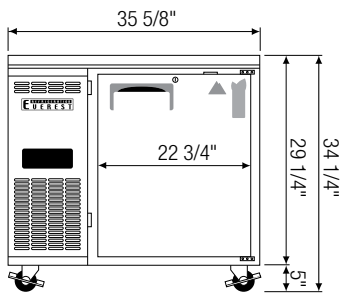
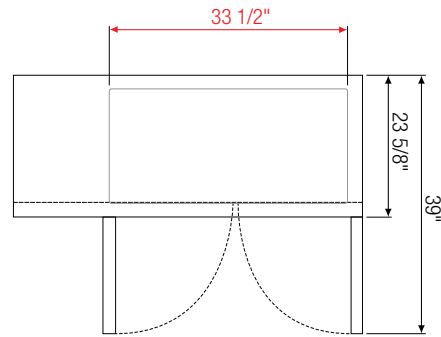
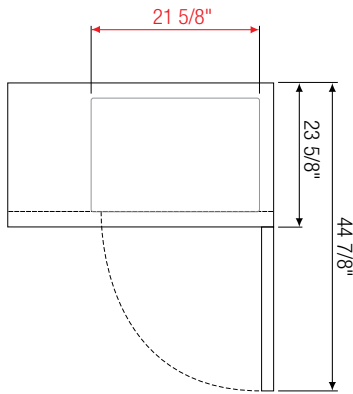


Dimensions

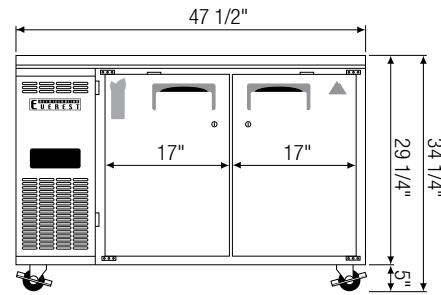
↔ = Interior Dimensions ↔ = Exterior Dimensions



Equipped with 9 ft long NEMA 5-15P plug.



▲ ETR1-24



▲ ETR2-24

Model	Ref/ Frz/ Dual	# of Doors	Capacity (Cu. Ft.)	HP	BTU/HR	Refrigerant	# of Shelves	Power (V-Hz-Ph)	Amps	Crated Weight (LBS)	Exterior Dimensions (Inches)		
											L	D	H*
ETR1-24	Ref	1	6	1/4+	1,926	R290	2	115-60-1	3.5	146	35 5/8	23 5/8	29 1/4
ETR2-24	Ref	2	9	1/4+	1,926	R290	4	115-60-1	3.5	223	47 1/2	23 5/8	29 1/4

* : Height does not include 5" for casters.

† : Based on evaporating temperature of 23°F (-5°C) & condensing temperature of 131°F (55°C).

Ref = Refrigerator

Specifications subject to change without notice.

Product dimensions are for general purposes and not absolute value. Product capacity (†) is calculated based on standard industry figures. Slight variations may exist. If dimensions and capacity are critical, please contact Everest Refrigeration.



Please visit our website for updated Energy Efficiency information.

24" DEEP SIDE MOUNT UNDERCOUNTER FREEZERS

Side Mounted Condensing Unit

ET - Series • ETF1-24 • ETF2-24



▲ ETF1-24



▲ ETF2-24

Cabinet Construction

- Heavy duty stainless steel interior / exterior with rounded corners for a hazard-free workspace.
- Open spaced interior with no walls between compartments.
- 16 gauge, high quality stainless steel worktop.
- Galvanized steel bottom and rear.
- 2.5" thick high density polyurethane insulation.
- Four 5" swivel casters with locks on front set.

Refrigeration System

- Side mounted, self-contained and fully detachable Blizzard R290 condensing unit uses environmentally friendly, EPA-compliant R290 refrigerant with zero (0) Ozone Depletion Potential (ODP) and three (3) Global Warming Potential (GWP). Blizzard R290 is easily replaceable and requires no on-site brazing.
- Electronically commutated (ECM) fan motors achieve rapid cooling with less energy consumption.
- Full-length air duct system ensures optimal circulation of cold air.
- Time-initiated and temperature-terminated auto defrost cycle for seamless operation.
- Large capacity, corrosion-resistant condenser and evaporator coils.
- Self-maintaining, energy-efficient condensate drain pan requires no external drains or electric heaters.
- High performance, auto-reverse condenser fan motor supports compressor ventilation and condenser coil cleaning. Refer to owner's manual for full maintenance instructions.
- Pressure relief devices allow smooth access to cabinet interior when re-opening doors.
- Pre-wired and ready to plug, 115V/60Hz/1Ph, NEMA 5-15P.

Lighting

- Energy efficient silicone coated and shatter-proof LED lighting provides bright, high color illumination with low heat output.

Doors

- Heavy duty stainless steel interior / exterior.
- 2.5" thick high density polyurethane insulation.
- Frame heaters prevent exterior moisture build up.
- Self-closing with adjustable torsion system for a positive seal.
- Snap-in magnetic door gasket make cleaning and replacement an easy process.
- High strength, recessed door handles.
- Pre-installed door locks keep your items safe from theft.

Shelving

- Two epoxy coated, steel wire shelves per section.
- Height adjustable stainless steel clips.

Temperature Control

- Multi-function digital controller with easy to read LED display.
- Factory preset temperature, -4°F. Temperature setting range from -10°F to 54°F.
- Audible overheat protection alarm for compressor and condenser coil.

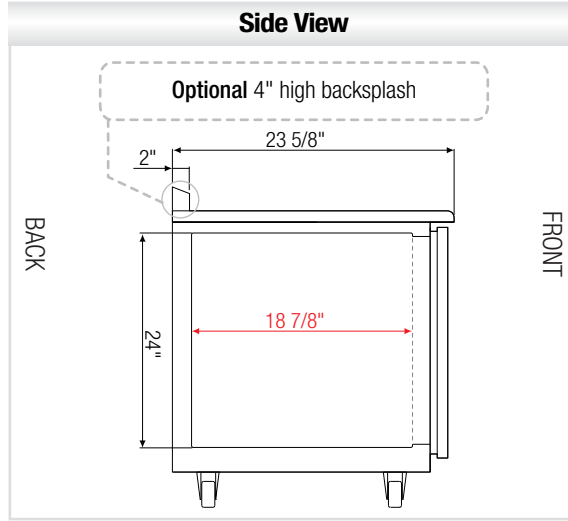
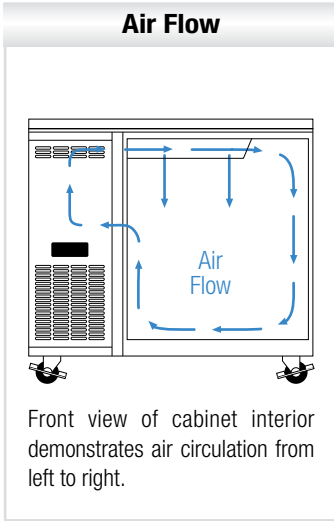
Options

- 4" high stainless steel backsplash for worktop application.
- Additional shelving.
- 3" swivel casters with locks.
- 3.5" – 6" height-adjustable and interchangeable legs.

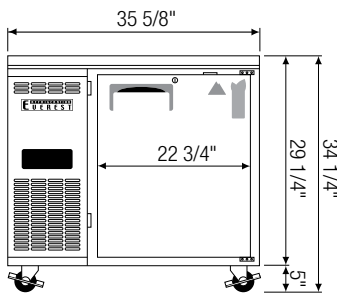
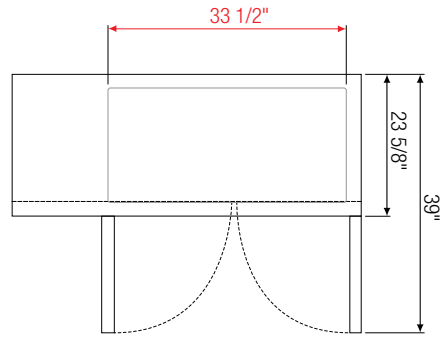
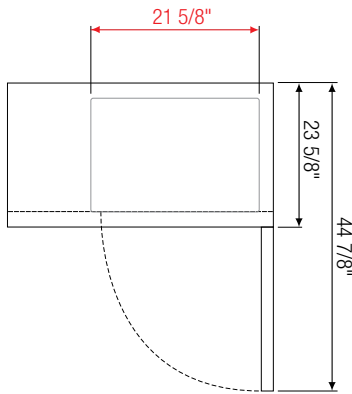


Dimensions

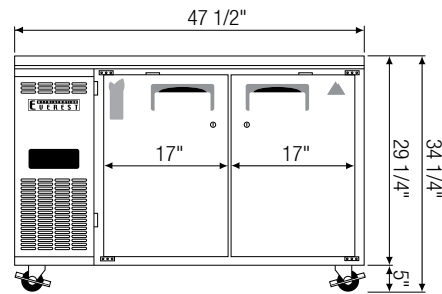
↔ = Interior Dimensions ↔ = Exterior Dimensions



Equipped with 9 ft long NEMA 5-15P plug.



▲ **ETF1-24**



▲ **ETF2-24**

Model	Ref/ Frz/ Dual	# of Doors	Capacity (Cu. Ft.)	HP	BTU/HR [†]	Refrigerant	# of Shelves	Power (V-Hz-Ph)	Amps	Crated Weight (LBS)	Exterior Dimensions (Inches)		
											L	D	H*
ETF1-24	Frz	1	6	1/3	1,119	R290	2	115-60-1	3	149	35 5/8	23 5/8	29 1/4
ETF2-24	Frz	2	9	1/2	1,670	R290	4	115-60-1	5	184	47 1/2	23 5/8	29 1/4

* : Height does not include 5" for casters.

† : Based on evaporating temperature of 14°F (-10°C) & condensing temperature of 131°F (55°C).

Frz = Freezer

Specifications subject to change without notice.

Product dimensions are for general purposes and not absolute value. Product capacity (†) is calculated based on standard industry figures. Slight variations may exist. If dimensions and capacity are critical, please contact Everest Refrigeration.



Please visit our website for updated Energy Efficiency information.

24" DEEP SIDE MOUNT SANDWICH PREP TABLES

Side Mounted Condensing Unit

EP - Series • EPR1-24 • EPR2-24



▲ EPR1-24



▲ EPR2-24

Cabinet Construction

- Heavy duty stainless steel interior / exterior with rounded corners for a hazard-free workspace.
- Open spaced interior with no walls between cabinet compartments.
- Vented stainless steel panel between top pan area and cabinet catches food debris.
- 16 gauge, high quality stainless steel worktop, lid and hood.
- Galvanized steel bottom and rear.
- 2.5" thick high density polyurethane insulation.
- Four 5" swivel casters with locks on front set.

Refrigeration System

- Side mounted, self-contained and fully detachable Blizzard R290 condensing unit uses environmentally friendly, EPA-compliant R290 refrigerant with zero (0) Ozone Depletion Potential (ODP) and three (3) Global Warming Potential (GWP). Blizzard R290 is easily replaceable and requires no on-site brazing.
- Electronically commutated (ECM) fan motors achieve rapid cooling with less energy consumption.
- Full-length air duct system ensures optimal circulation of cold air.
- Time-initiated and temperature-terminated auto defrost cycle for seamless operation.
- Large capacity, corrosion-resistant condenser and evaporator coils.
- Self-maintaining, energy-efficient condensate drain pan requires no external drains or electric heaters.
- High performance, auto-reverse condenser fan motor supports compressor ventilation and condenser coil cleaning. Refer to owner's manual for full maintenance instructions.
- Pressure relief devices allow smooth access to cabinet interior when re-opening doors.
- Pre-wired and ready to plug, 115V/60Hz/1Ph, NEMA 5-15P.

Lighting

- Energy efficient silicone coated and shatter-proof LED lighting provides bright, high color illumination with low heat output.

Doors

- Heavy duty stainless steel interior / exterior.
- 2.5" thick high density polyurethane insulation.
- Frame heaters prevent exterior moisture build up.
- Self-closing with adjustable torsion system for a positive seal.
- Snap-in magnetic door gasket make cleaning and replacement an easy process.
- High strength, recessed door handles.

Preparation Area

- NSF certified polycarbonate 6" deep pans (see table for size and quantity).
- ½" thick, foam insulated lid keeps top pan area cold and prevents moisture build-up.
- 12 ¼" deep cutting board is removable for ease of cleaning.

Shelving

- Two epoxy coated, steel wire shelves per section.
- Height adjustable stainless steel clips.

Temperature Control

- Multi-function digital controller with easy to read LED display.
- Factory preset temperature, 35°F. Temperature setting range from 33°F to 54°F.
- Audible overheat protection alarm for compressor and condenser coil.

Options

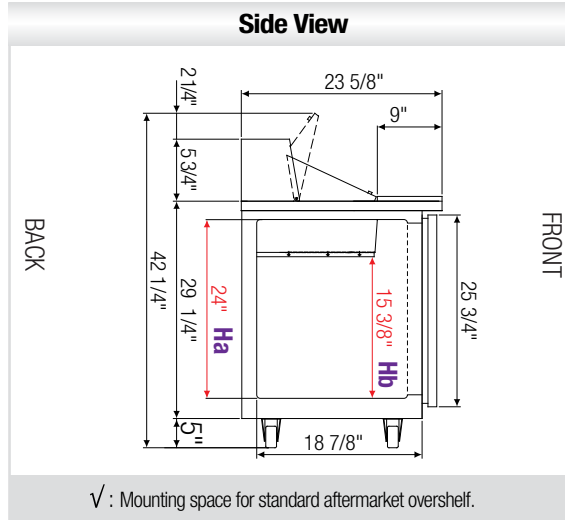
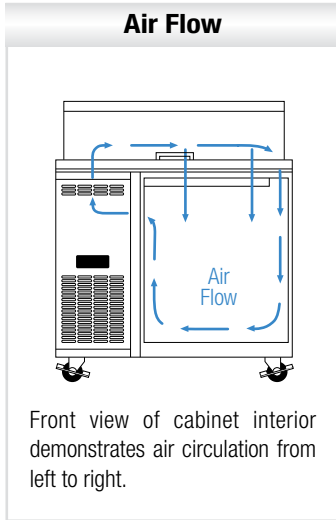
- NSF certified stainless steel double overshelf.
- Additional shelving.
- 3" swivel casters with locks.
- 3.5" – 6" height-adjustable and interchangeable legs.



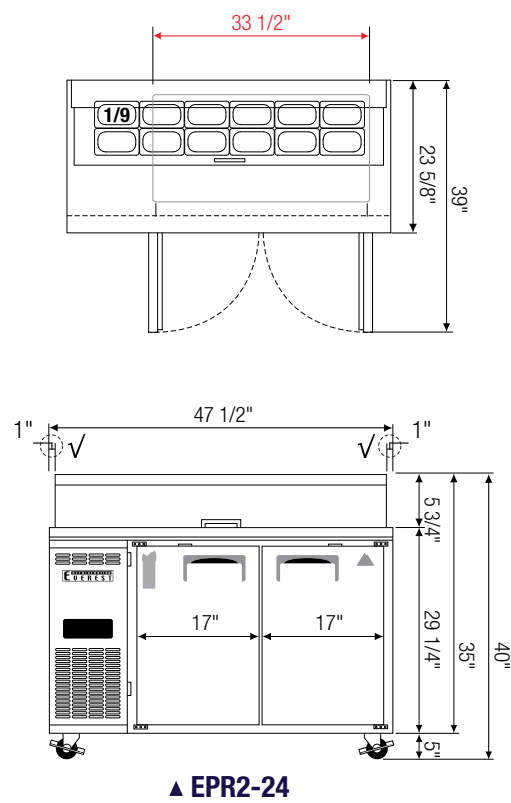
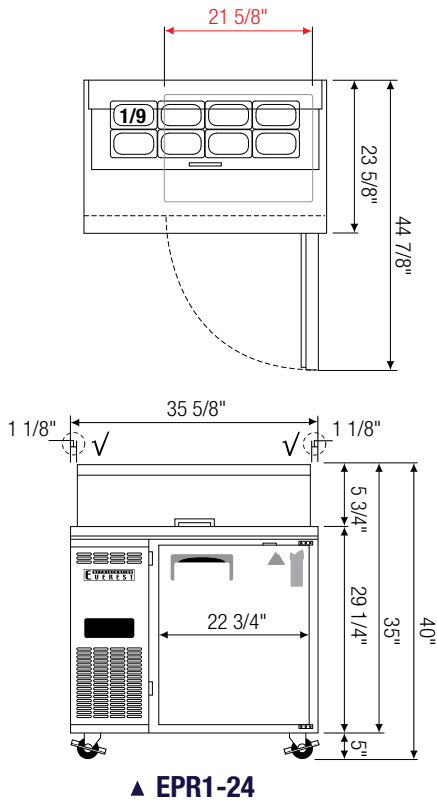
5 YEAR Compressor
3 YEAR Parts & Labor

Dimensions

↔ = Interior Dimensions ↔ = Exterior Dimensions



ⓘ Equipped with 9 ft long NEMA 5-15P plug.



Model	Ref/ Frz/ Dual	# of Doors	Capacity (Cu. Ft.)	HP	Refrigerant	# of Shelves	# of Pans	Power (V-Hz-Ph)	Amps	Crated Weight (LBS)	Exterior Dimensions (Inches)		
											L	D	H*
EPR1-24	Ref	1	6	1/4+	R290	2	1/9 x 8	115-60-1	3.27	185	35 5/8	23 5/8	35
EPR2-24	Ref	2	9	1/4+	R290	4	1/9 x 12	115-60-1	3.48	229	47 1/2	23 5/8	35

* : Height does not include 5" for casters.
Ha, Hb : Interior Height

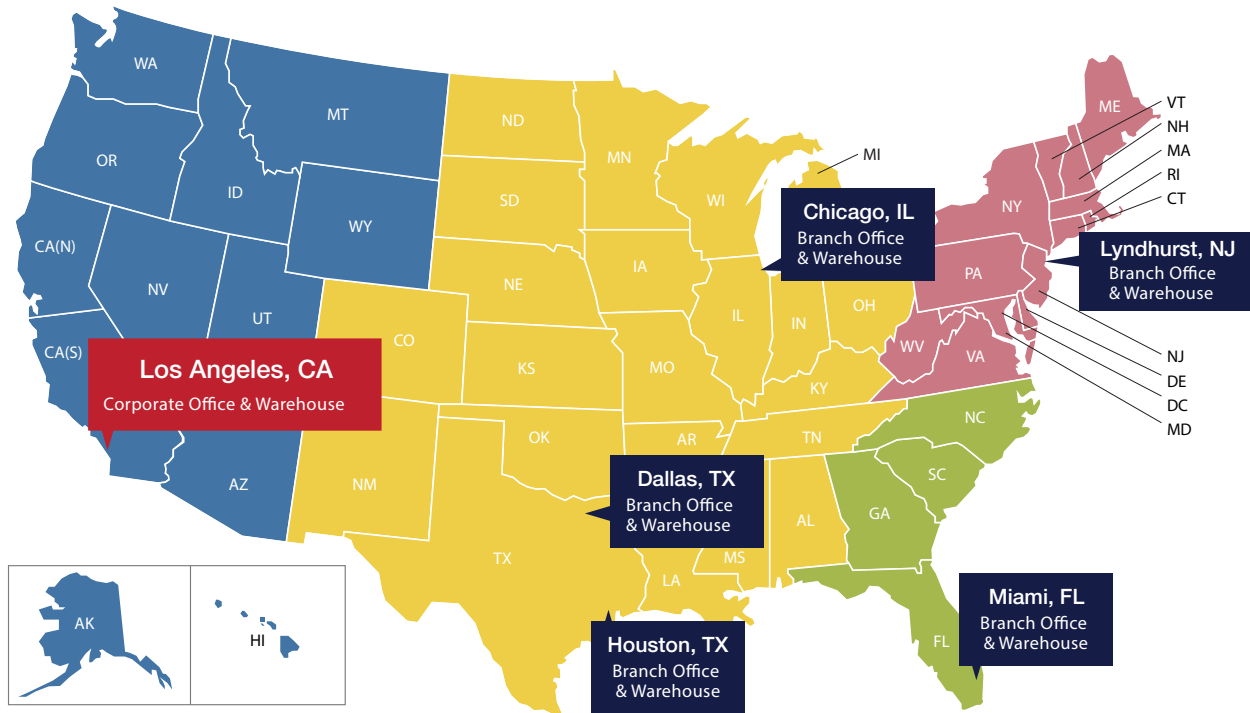
Frz = Freezer

Specifications subject to change without notice.

Product dimensions are for general purposes and not absolute value. Product capacity (P) is calculated based on standard industry figures. Slight variations may exist. If dimensions and capacity are critical, please contact Everest Refrigeration.

Please visit our website for updated Energy Efficiency information.

Sales & Distribution Network



LOS ANGELES, CA

Address 201 W. Artesia Blvd.
Compton, CA 90220
Phone 310. 323. 6586
Fax 310. 323. 7524 | 310. 761. 1127
Email sales.west@EVERESTref.com
po.ca@EVERESTref.com

LYNDHURST, NJ

Address 1270 Valley Brook Ave., Ste. 100C
Lyndhurst, NJ 07071
Phone 201. 302. 0217
Fax 201. 302. 0218
Email sales.east@EVERESTref.com
po.nj@EVERESTref.com

DALLAS, TX

Address 1950 Hurd Dr.
Irving, TX 75038
Phone 214. 792. 9133
Fax 469. 458. 6326
Email sales.central@EVERESTref.com
po.tx@EVERESTref.com

HOUSTON, TX

Address 1217 N. Post Oak Rd.
Houston, TX 77055
Phone 214. 792. 9133
Fax 469. 458. 6326
Email sales.central@EVERESTref.com
po.tx@EVERESTref.com

CHICAGO, IL

Address 2475 W. Touhy Ave.
Elk Grove Village, IL 60007
Phone 310. 323. 6586
Fax 310. 323. 7524
Email sales.central@EVERESTref.com
po.central@EVERESTref.com

MIAMI, FL

Address 221 W. Hallandale Beach Blvd., #207
Hallandale, FL 33009
Phone 786. 409. 3540
Fax 786. 409. 3735
Email sales.east@EVERESTref.com
po.fl@EVERESTref.com



EVEREST warrants to the first purchaser of every new EVEREST unit, the cabinet and all parts thereof, to be free from defects in material or workmanship, under normal and proper use and maintenance service as specified by EVEREST and upon proper installation and start-up in accordance with the instruction packet supplied with each unit.

Three (3) Year Labor & Parts Warranty

(for Upright Reach-Ins, Glass Door Merchandisers, Undercounters, Chefbases, Prep. Tables, Bar Equipment and Countertop Refrigerated Display Cases)

EVEREST's obligation under this warranty is limited to a period of three (3)* years from the date of original installation or thirty-six (36)* months after shipment date from EVEREST, whichever occurs first. Any part covered under this warranty that is determined by EVEREST to have been defective within three (3)* years of original installation or thirty six (36)* months after shipment date from the manufacturer, whichever occurs first, is limited to the repair or replacement, including labor charges, of defective parts or assemblies. The labor warranty shall include standard straight time labor charges and reasonable travel time, as determined by EVEREST.

Two (2) Year Labor & Parts Warranty

(for Open Air Merchandisers)

EVEREST's obligation under this warranty is limited to a period of two (2)* years from the date of original installation or twenty-four (24)* months after shipment date from EVEREST, whichever occurs first. Any part covered under this warranty that is determined by EVEREST to have been defective within two (2)* years of original installation or twenty-four (24)* months after shipment date from the manufacturer, whichever occurs first, is limited to the repair or replacement, including labor charges, of defective parts or assemblies. The labor warranty shall include standard straight time labor charges and reasonable travel time, as determined by EVEREST.

Five (5) Year Compressor Warranty

In addition to the warranty set forth above, EVEREST warrants the hermetically sealed compressor for five (5) years, not to exceed sixty (60) months from the unit's date of shipment from EVEREST.

Warranty Claims

All warranty claims for labor or parts must be made directly through EVEREST. All claims shall include: unit model number, cabinet serial number, proof of new product purchase, installation date, and all pertinent information related to the reported defect. To qualify for a compressor warranty claim, the replacement compressor must have been purchased directly from EVEREST. Claimants must submit the compressor warranty form and compressor tag to EVEREST. The compressor warranty does not apply to shipping and labor costs or other parts whether electrical or mechanical.

Warranty Exclusions

EVEREST's sole obligation under this warranty is limited to either the repair or replacement of parts, subject to the additional limitations below. This warranty neither assumes nor authorizes any person to assume obligations other than those expressly covered by this warranty.

- A. **NON WARRANTY PARTS.** EVEREST excludes specific parts exposed to normal wear and tear. These parts include, but are not limited to, lamps, gaskets, casters, shelves and shelf clips, pans, bin and pan dividers and airflow guards.
- B. **INDIRECT OR CONSEQUENTIAL DAMAGE.** EVEREST does not warrant economic loss, profit loss, or special, indirect or consequential damages including without limitation, losses or damages arising from food or product spoilage claims caused by refrigeration failure.
- C. **IMPROPER USAGE.** EVEREST is not responsible for parts or labor coverage for component failure and or other damages resulting from improper usage, installation or failure to clean and/or maintain the unit as set forth in the user's manual provided with this unit. All EVEREST units are designed for commercial use, not for residential use. Warranty is invalid if the unit is installed in a residence.
- D. **RELOCATION OF UNIT FOR REPAIR.** EVEREST is not responsible for the cost to move a unit for any reason from its position of operation on the customer's premises to make a warranty repair. Further, EVEREST is not responsible for the cost of disassembling cabinetry and/or panels built around the unit to make a warranty repair.
- E. **WARRANTY IS NOT TRANSFERABLE.** Warranty is limited to only the original purchaser, owner or lessee of the unit. Warranty does not transfer with change of ownership or lessee.
- F. **ALTERATION, NEGLIGENCE, MISUSE, ABUSE, ACCIDENT, DAMAGE DURING TRANSIT OR INSTALLATION, FIRE, FLOOD, ACTS OF GOD.** EVEREST is not responsible for malfunctions due to alteration, neglect, misuse, abuse, accident, damage during transit or installation, fire, flood, storm, and/or other acts of God. EVEREST is not responsible for any improper electrical connections resulting from electrical power failure, the use of extension cords, and low voltage or voltage drops to the unit.
- G. **UNAUTHORIZED MODIFICATION.** EVEREST is not responsible for the repair or replacement of failed or damaged components resulting from unauthorized modifications to units or the use of non OEM parts without prior written approval from EVEREST.
- H. **IMPROPER ELECTRICAL CONNECTIONS.** EVEREST is not responsible for the repair or replacement of the unit or any damaged components resulting from incorrect supply voltage, low voltage, fluctuating supply voltage, incorrect amperage the use of extension cords, generators or other improper electrical connections.
- I. **OUTSIDE THE U.S.** This warranty does not apply to any parts and/or labor warranty claims made on units sold or used outside of the United States.

These warranties are exclusive and in lieu of all other warranties, expressed or implied, and all other obligations or liabilities on our part, and we neither assume nor authorize any other person to assume for us any other obligation or liability in connection with the sale of said refrigeration units or any part thereof.

* Terms may vary. Contact Everest for further details.



5 YEAR Compressor 3 YEAR Parts & Labor





Contact Everest Refrigeration for more information.
tel: 310.323.6586 | www.EVERESTref.com